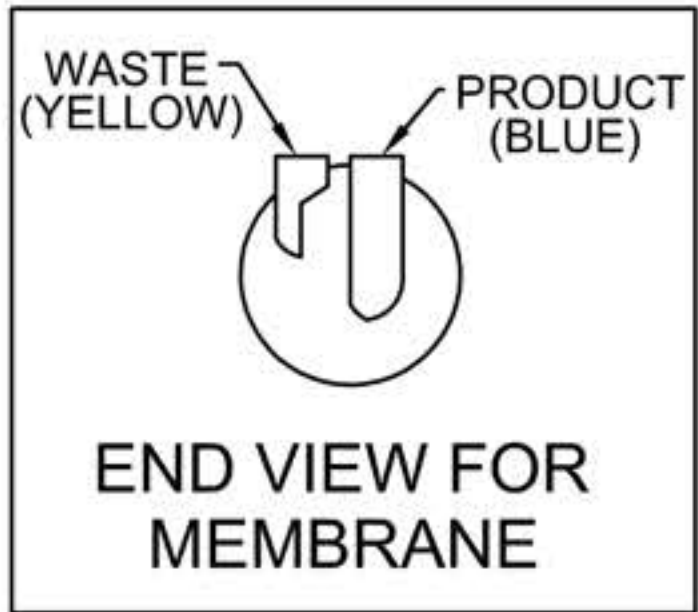
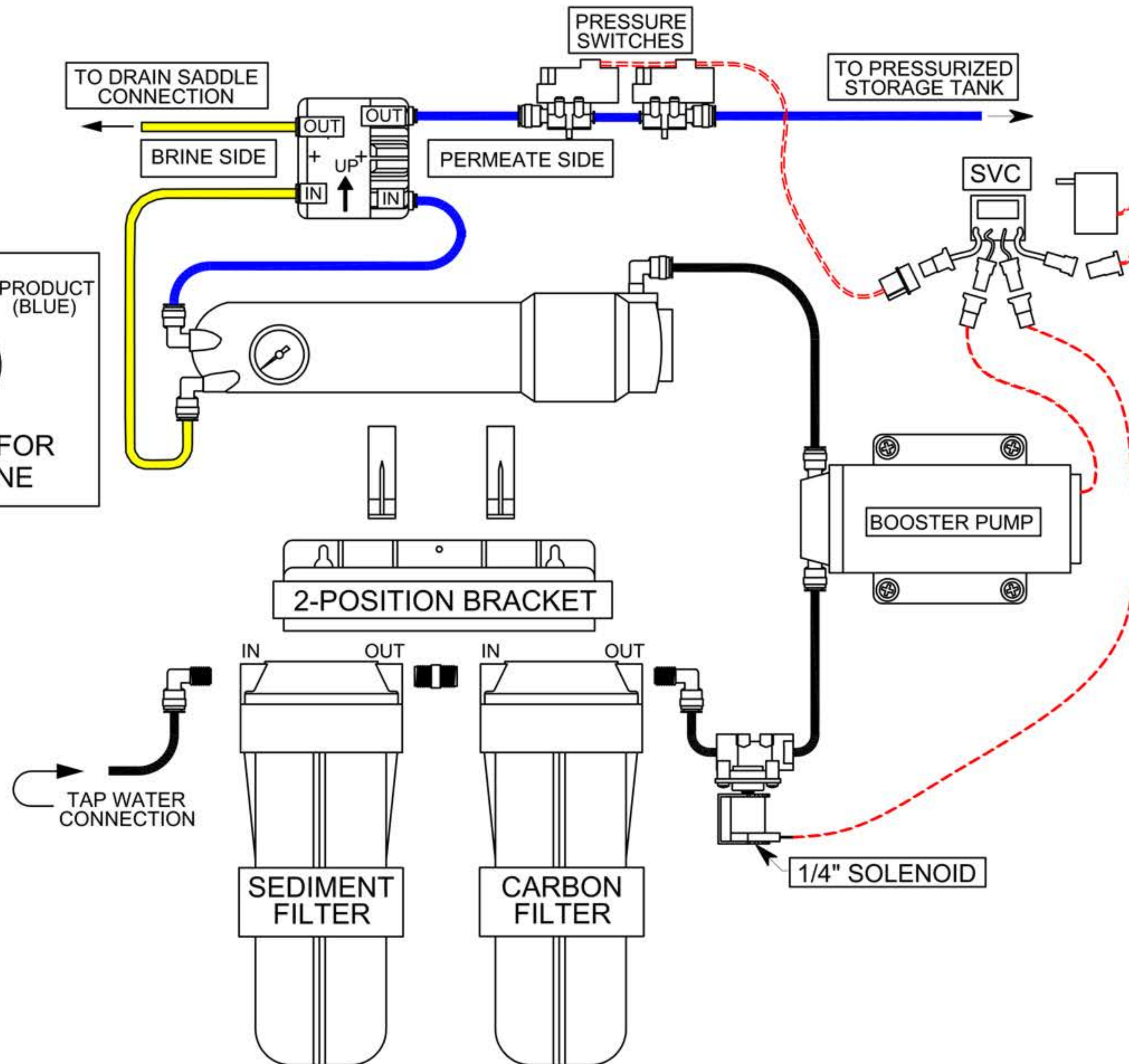


NOTES:



INFORMATION

PROJECT: PERMEATE PUMP WITH
 SVC CONTROLLER FOR
 DRINKING WATER

DATE: 10/5/2007

SCALE: N.T.S

The contents of this drawing are the sole property of SpectraPure . No part of this document may be reproduced, stored in a retrieval system, or transmitted in any form or by any means, electronic, mechanical, photocopying, recording or otherwise without the prior written permission of SpectraPure . 2007

REVISIONS

DATE:	REV #

SHEET #

1/1