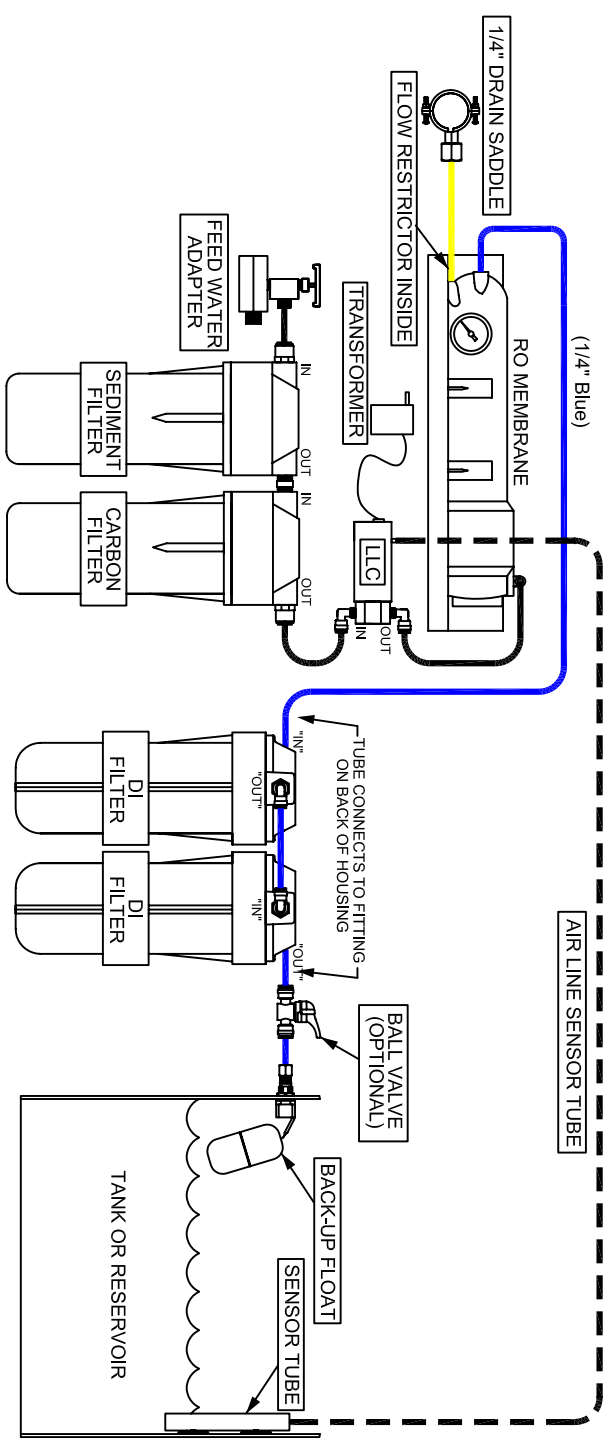
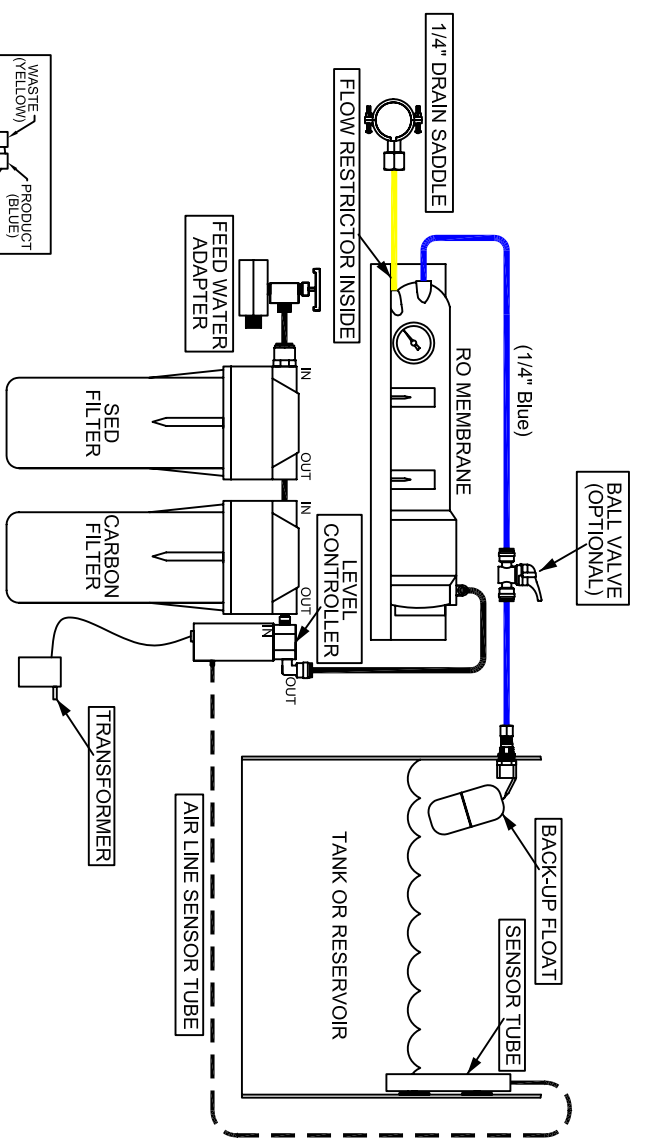
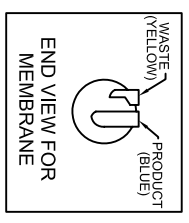


NOTES:
 MAKE SURE YOU SET THE LEVEL FOR THE AIR LINE SENSOR TUBE AS SHOWN IN THE MANUAL.

MAKE SURE THAT THE "IN" CONNECTION ON THE LLC BOX IS INSTALLED IN THE PROPER DIRECTION



INFORMATION

PROJECT: INSTALLATION FOR LLC-S ON RO & RO/DI SYSTEMS

DATE: 5-14-07

SCALE: N.T.S

The contents of this drawing are the sole property of SpectraPure. No part of this document may be reproduced, stored in a retrieval system, or transmitted in any form or by any means, electronic, mechanical, photocopying, recording or otherwise without the prior written permission of SpectraPure. 2007

REVISIONS

DATE:	REV #

SHEET #
1/1