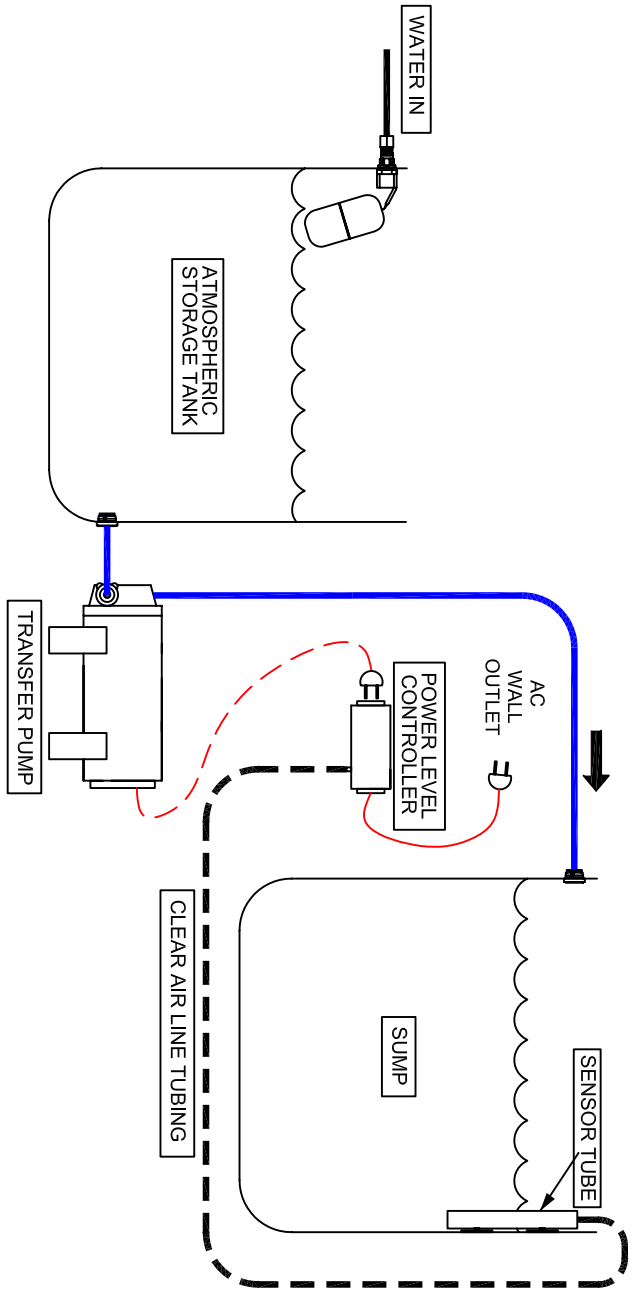


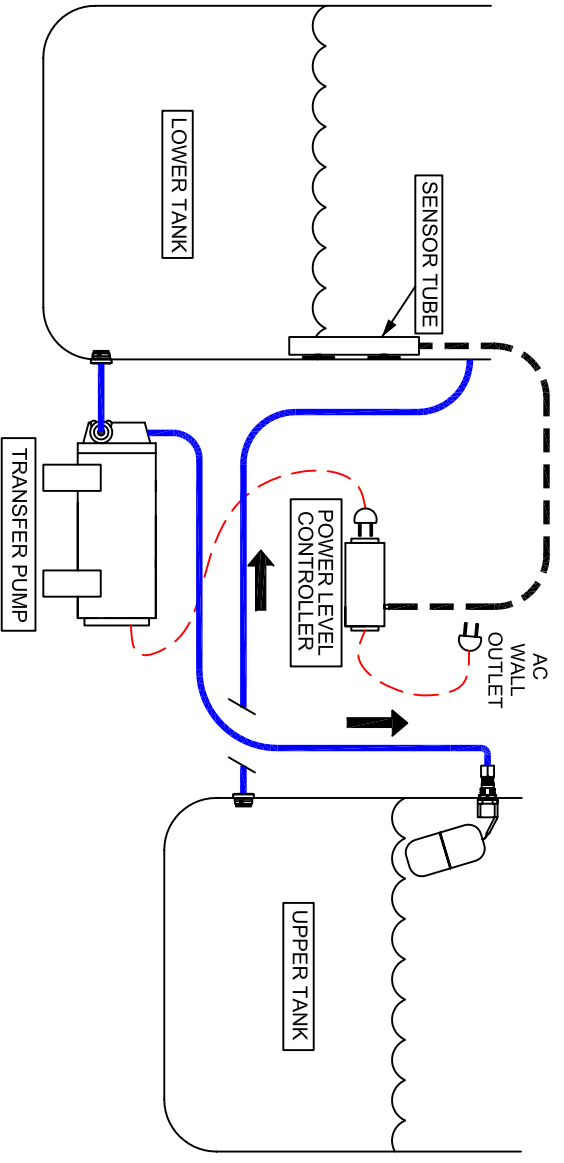
NOTES:

Blank area for notes.



LLC-PH INSTALLATION

LLC-PHR INSTALLATION



INFORMATION

PROJECT: INSTALLATION FOR LLC-PH & LLC-PHR

DATE: 5-14-07

SCALE: N.T.S

The contents of this drawing are the sole property of SpectraPure. No part of this document may be reproduced, stored in a retrieval system, or transmitted in any form or by any means, electronic, mechanical, photocopying, recording or otherwise without the prior written permission of SpectraPure. 2007

REVISIONS

DATE:	REV #

SHEET #
1/1