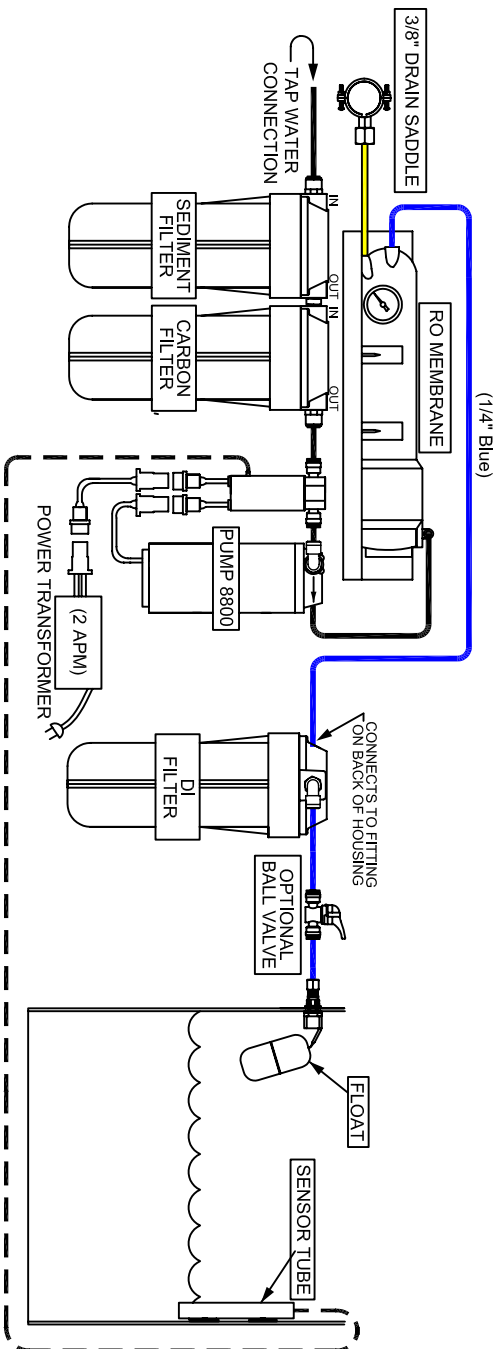


BOOSTER PUMP (BPLF-LLC)



BOOSTER PUMP (BPHF-LLC)

SPECTRAPURE®
 INNOVATORS IN WATER TECHNOLOGY SINCE 1985
 COPYRIGHT ©2007 ALL RIGHTS RESERVED

NOTES
 [] REPRESENTS WHAT IS
 CONTAINED IN KIT

INFORMATION

ARMSTRONG PROJECT
 DATE: 4-4-2007
 SCALE:

The contents of this drawing are the sole property of SpectraPure . No part of this document may be reproduced, stored in a retrieval system, or transmitted in any form or by any means, electronic, mechanical, photocopying, recording or otherwise without the prior written permission of SpectraPure . 2007

REVISIONS

DATE:	REV #

SHEET #
 1/1