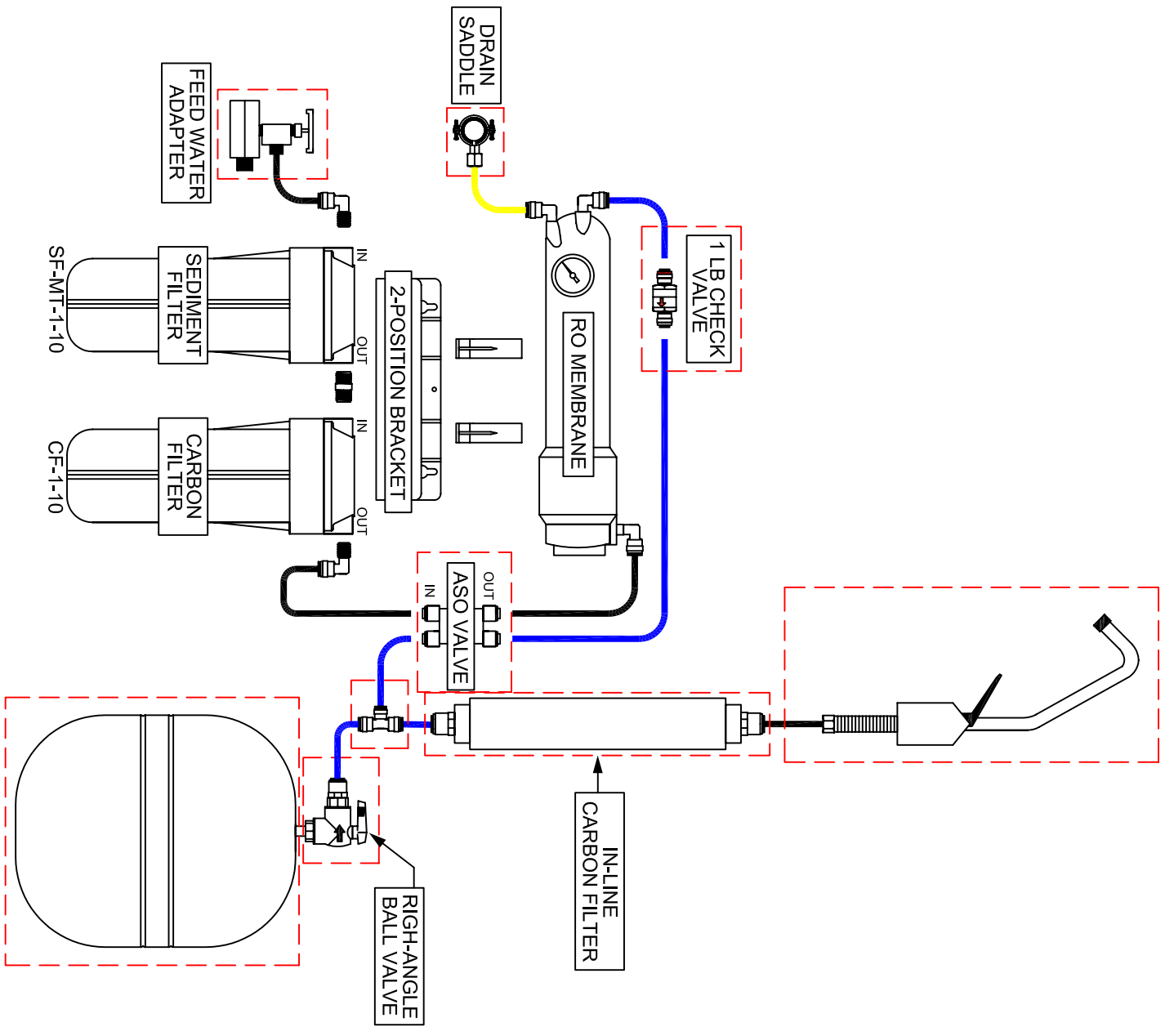


NOTES:  
 [ ] REPRESENTS WHAT IS  
 [ ] IN KIT



**INFORMATION**

PROJECT: DRINKING WATER KIT FOR  
 RO SYSTEMS W/  
 NON AIR-GAP FAUCET  
 DATE: 5-14-07  
 SCALE: N.T.S

The contents of this drawing are the sole property of SpectraPure. No part of this document may be reproduced, stored in a retrieval system, or transmitted in any form or by any means, electronic, mechanical, photocopying, recording or otherwise without the prior written permission of SpectraPure. 2007

**REVISIONS**

DATE:	REV #

SHEET #  
**1/1**